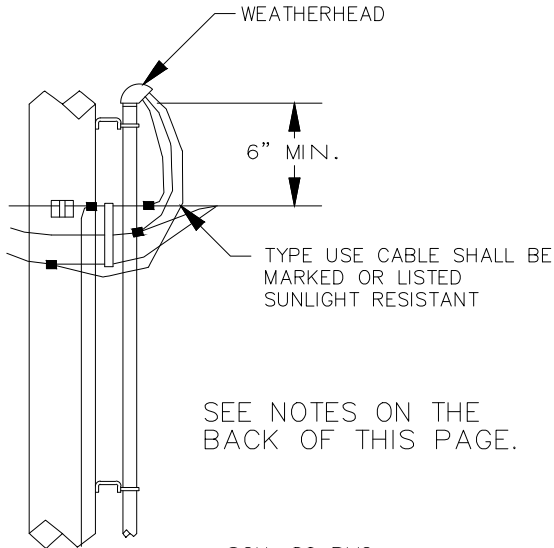


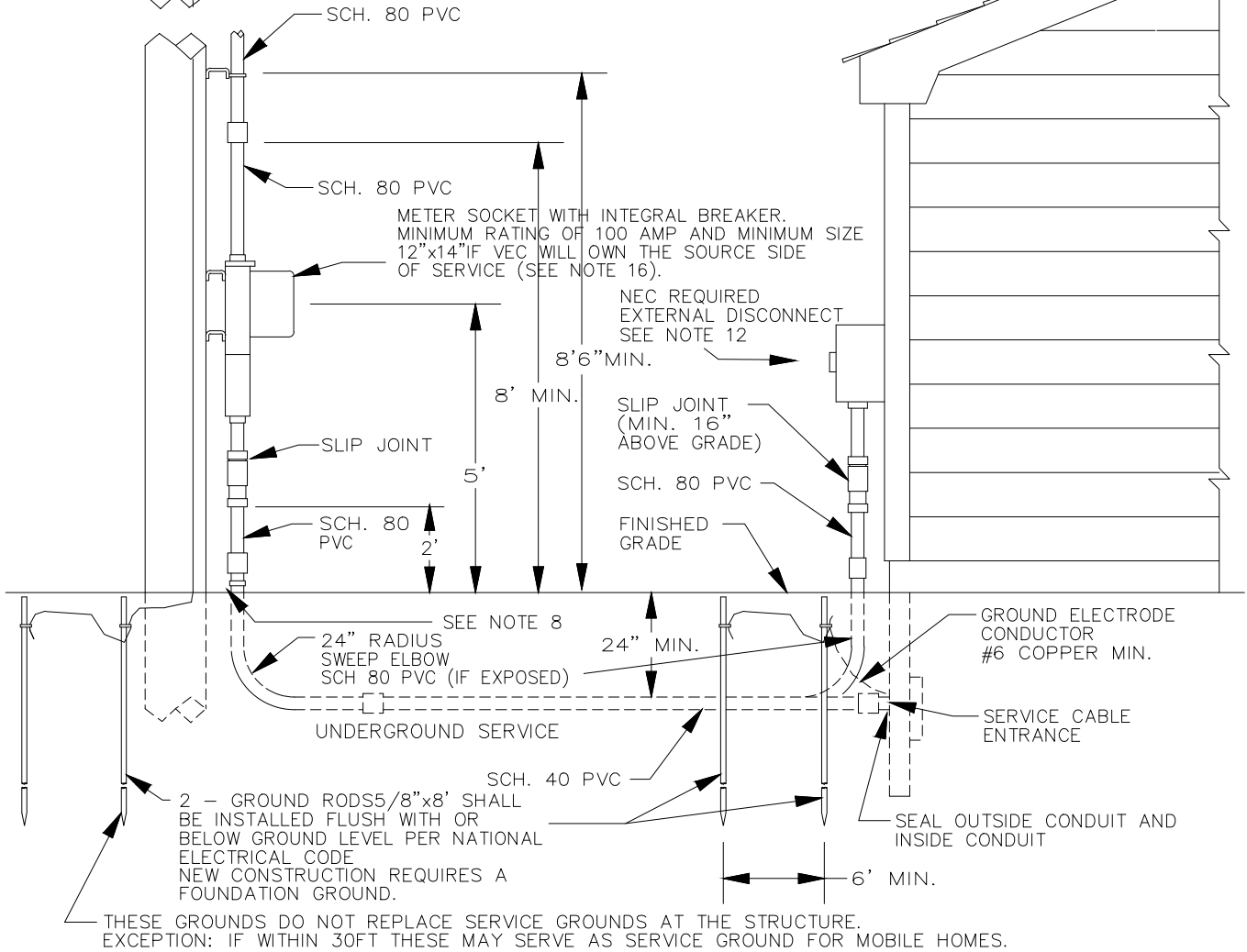
POLE METERING



RESIDENTIAL SERVICES ONLY			
RATING	CABLE LENGTH*	TRIPLEX SIZE	CONDUIT
100 A	0-210 FT.	1/0	2 1/2"
	211-410 FT.	4/0	2 1/2"
	411-650 FT.	350 MCM	3"
150 A	0-275 FT.	4/0	2 1/2"
	276-435 FT.	350 MCM	3"
200 A	0-205 FT.	4/0	2 1/2"
	206-325 FT.	350 MCM	3"
300 A	0-220 FT.	350 MCM	3"

* Cable Length is the total of trench and riser lengths. This chart does not indicate that the cable can be pulled into conduits of these lengths. Pulling tension calculations are necessary to make that determination.

SEE NOTES ON THE BACK OF THIS PAGE.



REV	DATE	REVISION DESCRIPTION	DRN	CKD

VERMONT ELECTRIC COOPERATIVE INC.
 JOHNSON, VT
 POLE METERING
 DWG. NO. 202 Page 1
 DATE: 07/10/2017

VERMONT ELECTRIC COOPERATIVE INC.
 JOHNSON, VT
 POLE METERING
 DWG. NO. 202 Page 1
 REV 1

POLE METERING

Notes:

1. All wiring and materials shall conform to the requirements of the National Electric Code (NEC) and to any applicable local codes. Where conflict exists the more stringent code will apply. For member owned equipment, any requirements in excess of code specified minimums, are recommended not required.
2. This specification covers residential services. Commercial service equipment is under the jurisdiction of the electrical inspector. The cable sizes shown in the chart may not apply to commercial services.
3. The location of the conduit risers and the meter socket will be designated by a VEC representative. Any relocation shall be approved by a VEC representative.
4. Locate the riser conduit at the pole shall be designated by a VEC representative.
5. All meter sockets on services requiring large capacity (greater than 200amps) shall have a manual bypass with locking jaw device.
6. The grounding electrode conductor, from the main disconnect, to a driven ground, shall be a minimum of #6 copper. The conductor shall be adequately protected. The driven grounds shown shall be a minimum of 5/8" in diameter and 8' long.
7. Any steel conduit within 18" of the surface shall be bonded. Steel conduit is not required.
8. Any construction, at the pole, above ground level, shall be done by VEC. Exception: The member may install that portion of their equipment that can be reached while standing on the ground. Any trench near the base of the pole shall be immediately backfilled and properly tamped. Any construction, at the pole, required by the member will be approved by a VEC representative.
9. For primary depths shallower than 36" may be allowed where obstructions such as ledge are encountered. Any portion of conduit shallower than 24" shall be covered by a minimum 6" concrete cap. Contact VEC for additional requirements for conduit buried near underground facilities, under driveways or roadways, or, for depths shallower than 12".
10. For secondary, depths shall be a minimum of 24"
11. All gas valves shall be a minimum of 10 ft from electric meter equipment. For clearances less than 10 ft see NFPA 58.
12. The Service Disconnecting Means for one and two family dwelling units per the NEC section 230.85 must be located in a readily accessible outdoor location and be marked per the NEC requirements.
13. The chart shows the acceptable total cable length for given service amp ratings and conductors. The chart is based on a maximum 3% voltage drop in an aluminum underground service cable for a 120/240 volt service. For other voltages, cables or multiple cables VEC. The chart is a recommendation, rather than a requirement, in the case of pole metering. However, failure to follow these recommendations can cause damage or malfunction of the customer's equipment. VEC does not accept any liability for loss or damage incurred as a result of said failure and the customer proceeds at his/her own risk. The conduit attached to the pole shall meet the chart's size for the cable chosen by the customer. The cable size shall, at a minimum, meet the capacity of the customer's disconnect.
14. A marker tape shall be installed, above the conduit, 12 inches below grade. Type USE cable shall be listed or marked sunlight resistant.
15. The decision to allow pole metering is solely at the VEC's discretion. The pole shall be in a location that is protected from pedestrian and vehicular traffic. The pole shall be in a location that is convenient for meter reading. The pole shall not be encumbered with equipment, primary taps or other risers, that make future pole replacements difficult. Pole metering is not available for members with multiple service rates, or, for members with time-of-day rates controlled by a relay in the meter.
16. VEC requires that the member install an integral breaker/meter socket. The purpose of the breaker is to allow the member to maintain their underground service without an expensive linecrew visit.