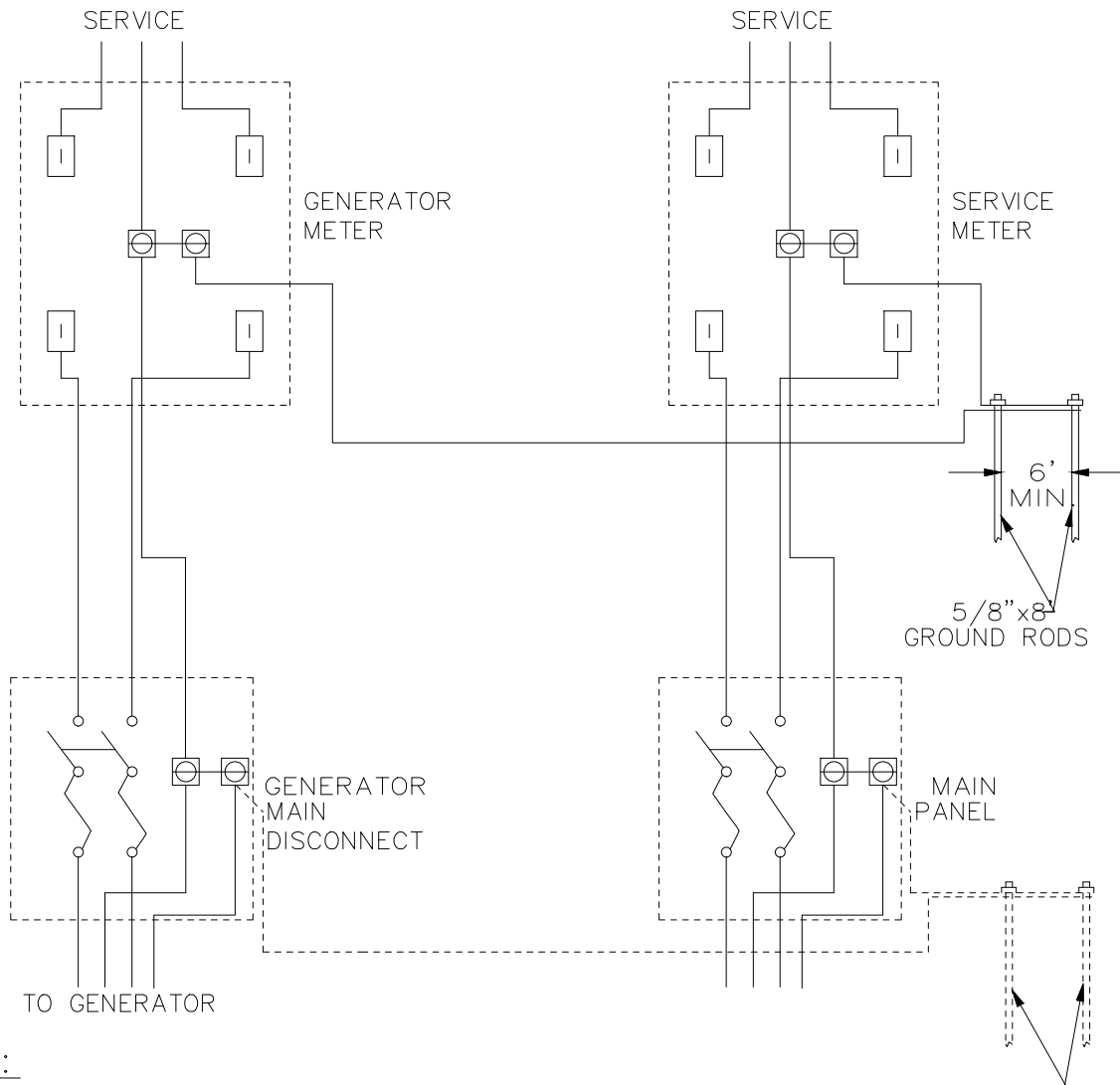




GENERATION IN PARALLEL WITH UTILITY SYSTEM  
NON-NET METERING WITH ENERGY SALES CONTRACT  
 THREE WIRE, SINGLE PHASE SERVICE



NOTES:

1. THE GENERATOR METER AND GENERATOR MAIN DISCONNECT SHALL BE LOCATED WITHIN TEN FEET OF, AND IN VIEW OF, THE SERVICE METER.
2. THE GENERATOR DISCONNECT SHALL BE MARKED 'GENERATOR DISCONNECT SWITCH' WITH PERMANENT LETTERS A MINIMUM OF 3/8" HIGH. THE DISCONNECT SWITCH MUST BE LOCKABLE IN THE OPEN POSITION, WITH A STANDARD UTILITY PADLOCK WITH A 3/8" SHANK. THE DISCONNECT SHALL BE LISTED AS SERVICE EQUIPMENT.
3. THE GENERATOR METER WILL BE EITHER DUAL BACK-TO-BACK METERS OR, A SINGLE METER WITH DUAL REGISTERS.
4. THE GROUNDING ELECTRODE CONDUCTOR CONNECTION, SHOWN IN THE METER SOCKET, MAY BE LOCATED IN THE MAIN PANEL ON COMMERCIAL INSTALLATIONS.
5. LOW VOLTAGE THREE-PHASE INSTALLATIONS ARE TO BE CONSTRUCTED SIMILARLY.
6. METALLIC ENCLOSURES WITHIN ARM'S REACH SHALL BE BONDED TOGETHER IN SUCH A WAY TO PREVENT THE BONDING CONDUCTOR FROM CARRYING RETURN CURRENT.

OPTIONAL  
GROUND ROD  
LOCATION FOR  
COMMERCIAL

						 VERMONT ELECTRIC COOPERATIVE INC. JOHNSON, VT GENERATION IN PARALLEL WITH UTILITY SYSTEM NON-NET METERING WITH ENERGY SALES CONTRACT
DES:	DRN: CB					DWG. NO. 403 Page 1
CKD:	SCALE: NONE					REV 
DATE: 07/10/2017						
REV	DATE	REVISION DESCRIPTION	DRN	CKD		