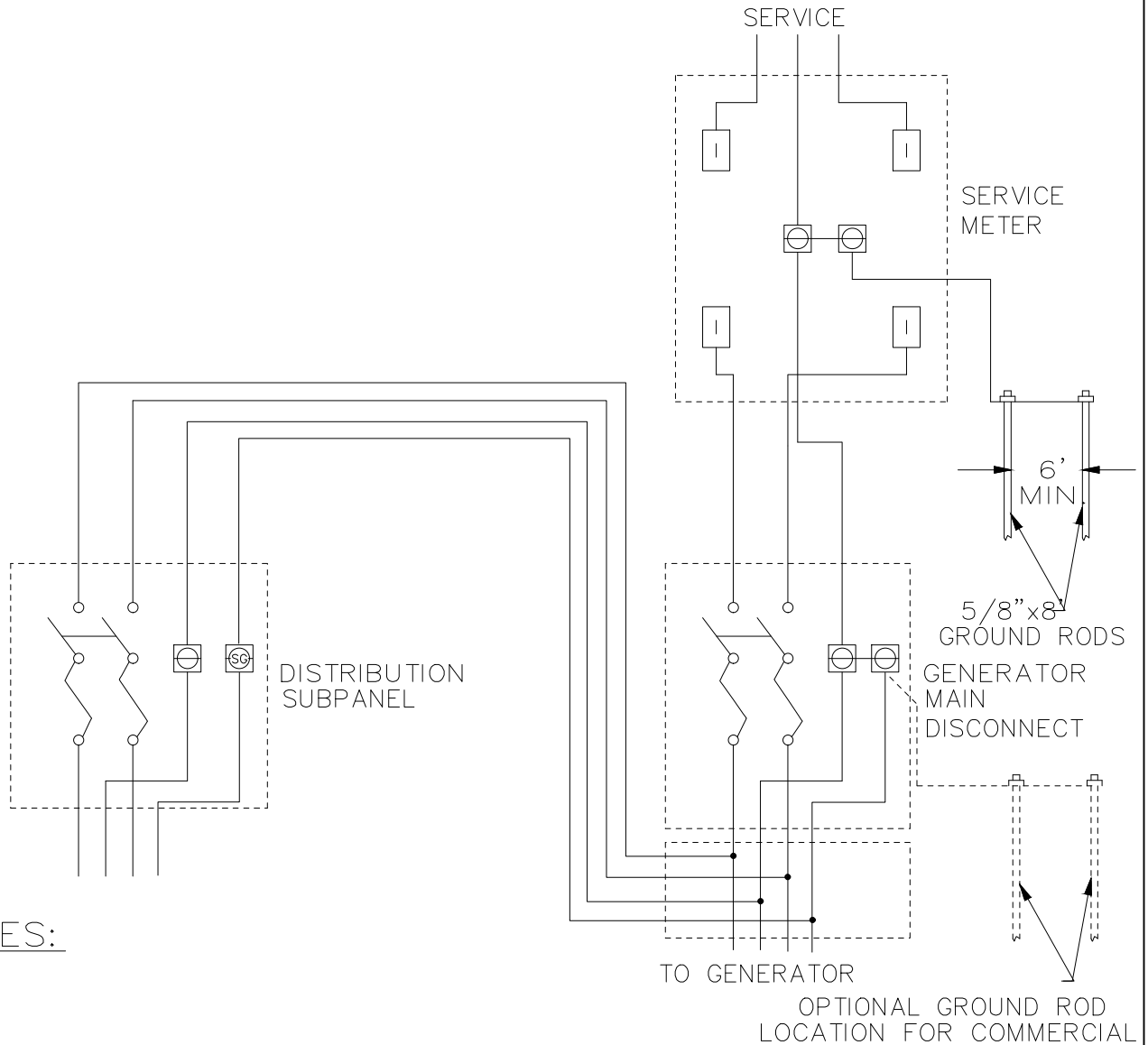



GENERATION IN PARALLEL WITH UTILITY SYSTEM
NET METERING - ALTERNATE CONNECTION
 THREE WIRE, SINGLE PHASE SERVICE



NOTES:

1. THE GENERATOR MAIN DISCONNECT MAY BE CONSIDERED THE NEC REQUIRED EXTERNAL SERVICE DISCONNECT AND MUST BE RATED FOR THE AVAILABLE FAULT CURRENT AND SERVICE AND LOCATED AT THE SERVICE ENTRANCE (OR WITHIN 30') AND LABELED AS THE SERVICE DISCONNECT PER NEC.
2. THE GENERATOR DISCONNECT SHALL BE MARKED 'GENERATOR DISCONNECT SWITCH' WITH PERMANENT LETTERS A MINIMUM OF 3/8" HIGH. THE DISCONNECT SWITCH MUST BE LOCKABLE IN THE OPEN POSITION, WITH A STANDARD UTILITY PADLOCK WITH A 3/8" SHANK. THE DISCONNECT SHALL BE LISTED AS SERVICE EQUIPMENT.
3. THE SERVICE METER WILL MEASURE DELIVERED ELECTRICITY MINUS ANY GENERATED ENERGY; OR, IT SHALL HAVE TWO SEPARATE INTERNAL REGISTERS.
4. THE GROUNDING ELECTRODE CONDUCTOR CONNECTION, SHOWN IN THE METER SOCKET, MAY BE LOCATED IN THE MAIN PANEL ON COMMERCIAL INSTALLATIONS.
5. LOW VOLTAGE THREE-PHASE INSTALLATIONS ARE TO BE CONSTRUCTED SIMILARLY.
6. METALLIC ENCLOSURES WITHIN ARM'S REACH SHALL BE BONDED TOGETHER IN SUCH A WAY TO PREVENT THE BONDING CONDUCTOR FROM CARRYING RETURN CURRENT.
7. THE ALTERNATE CONNECTION IS NOT RECOMMENDED. SERVICE WILL BE DISCONTINUED WHEN THE LINECREW TAKES CLEARANCE FOR HOT-LINE WORK.

						 VERMONT ELECTRIC COOPERATIVE INC. JOHNSON, VT GENERATION IN PARALLEL WITH UTILITY SYSTEM NET METERING - ALTERNATE CONNECTION
DES:	DRN:	CB				DWG. NO. 406 Page 1
CKD:	SCALE:	NONE				REV 1
DATE:	07/10/2017					
REV	DATE	REVISION DESCRIPTION	DRN	CKD		