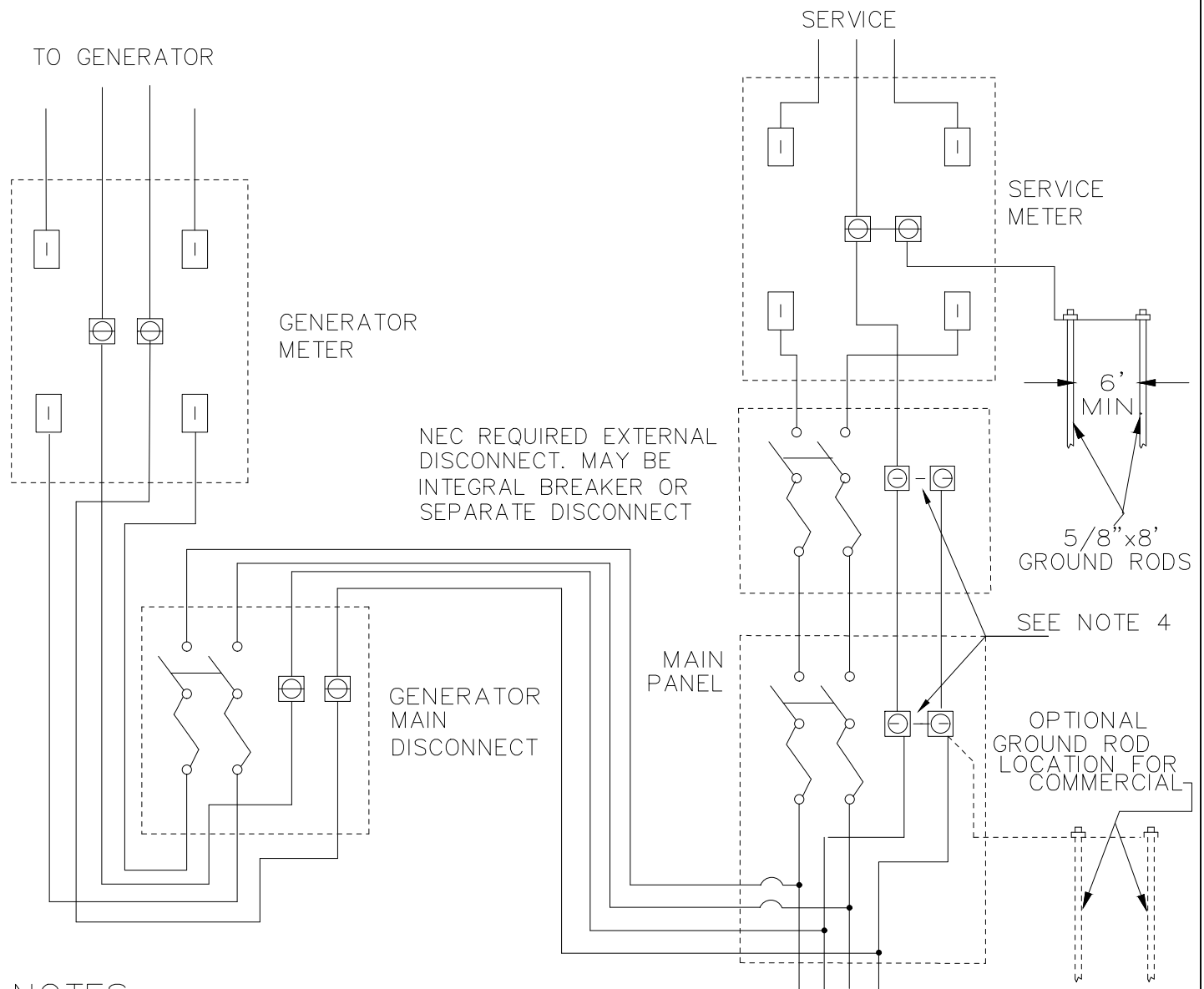



GENERATION IN PARALLEL WITH UTILITY SYSTEM
NET METERING - WITH GENERATION METER
 THREE WIRE, SINGLE PHASE SERVICE



NOTES:

1. THE GENERATOR MAIN DISCONNECT SHALL BE LOCATED WITHIN TEN FEET OF, AND IN VIEW OF, THE SERVICE METER OR THERE SHALL BE A PLACARD WITH DIRECTIONS TO THE DISCONNECT PER NEC.
2. THE GENERATOR DISCONNECT SHALL BE MARKED WITH THE APPROPRIATE NEC REQUIRED GENERATOR DISCONNECT SWITCH LABEL WITH PERMANENT LETTERS A MINIMUM OF 3/8" HIGH. THE DISCONNECT SWITCH MUST BE LOCKABLE IN THE OPEN POSITION, WITH A STANDARD UTILITY PADLOCK WITH A 3/8" SHANK.
3. THE SERVICE METER WILL MEASURE DELIVERED ELECTRICITY MINUS ANY GENERATED ENERGY; OR, IT SHALL HAVE TWO SEPARATE INTERNAL REGISTERS.
4. THE GROUNDING ELECTRODE CONDUCTOR CONNECTION, SHOWN IN THE METER SOCKET, MAY BE LOCATED IN THE MAIN PANEL ON COMMERCIAL INSTALLATIONS.
5. LOW VOLTAGE THREE-PHASE INSTALLATIONS ARE TO BE CONSTRUCTED SIMILARLY.
6. METALLIC ENCLOSURES WITHIN ARM'S REACH SHALL BE BONDED TOGETHER IN SUCH A WAY TO PREVENT THE BONDING CONDUCTOR FROM CARRYING RETURN CURRENT.

						 VERMONT ELECTRIC COOPERATIVE INC. JOHNSON, VT
						GENERATION IN PARALLEL WITH UTILITY SYSTEM NET METERING - WITH GENERATION METER
						DWG. NO. 408 Page 1
REV	DATE	REVISION DESCRIPTION	DRN	CKD	DES: DRN: CB CKD: SCALE: NONE DATE: 07/10/2017	REV 1