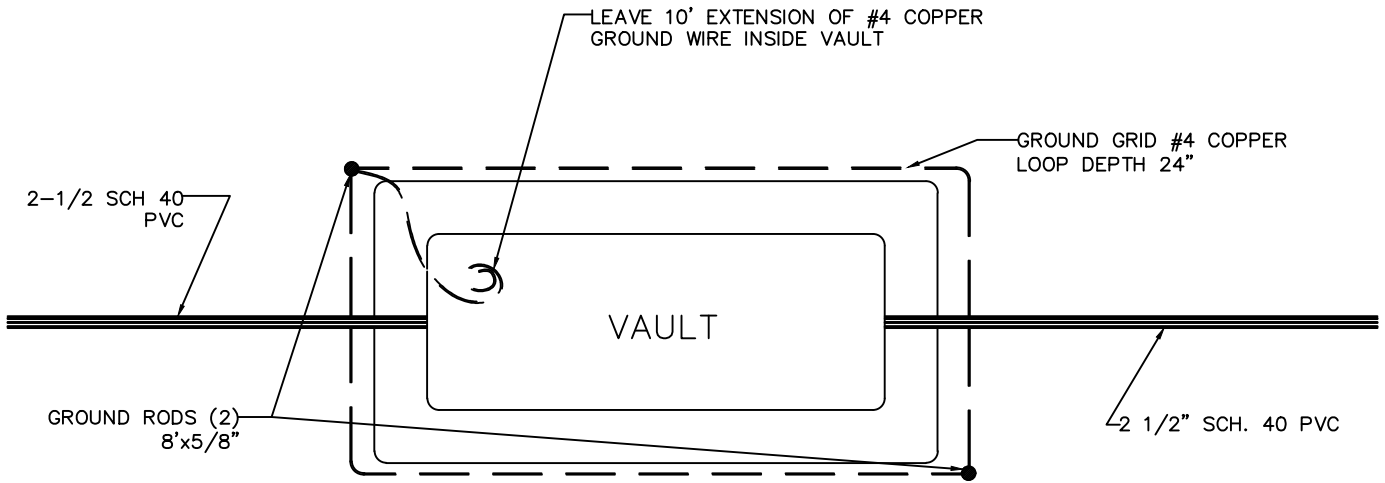
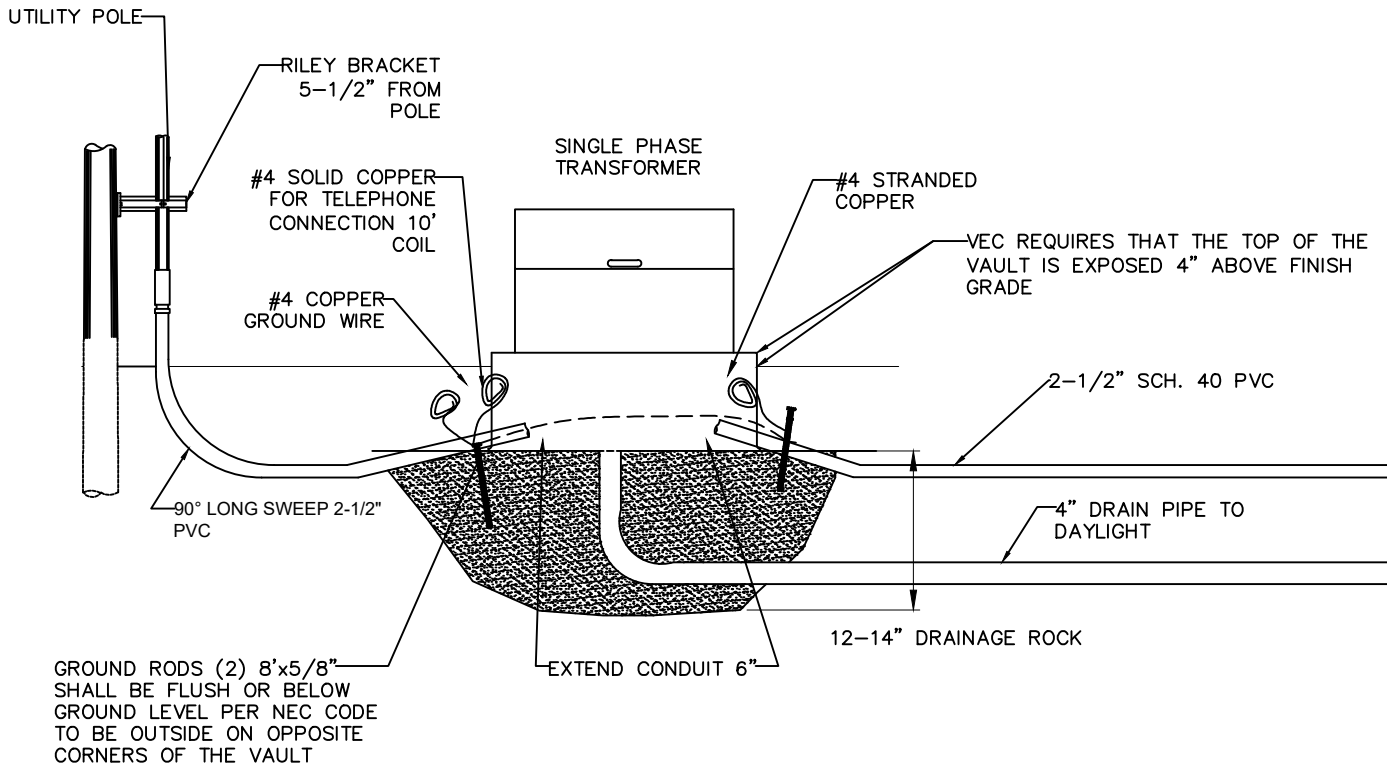



PRIMARY UNDERGROUND SYSTEM



OVERHEAD VIEW (AERIAL)

ELEVATION VIEW (HORIZONTAL)



						VERMONT ELECTRIC COOPERATIVE INC.	
						JOHNSON, VT	
						PRIMARY UNDERGROUND SYSTEM	
DES: RJP	DRN: RJP					DWG. NO.	702
CKD:	SCALE: NONE					DATE:	07/10/2017
REV	DATE	REVISION DESCRIPTION	DRN	CKD			REV 1